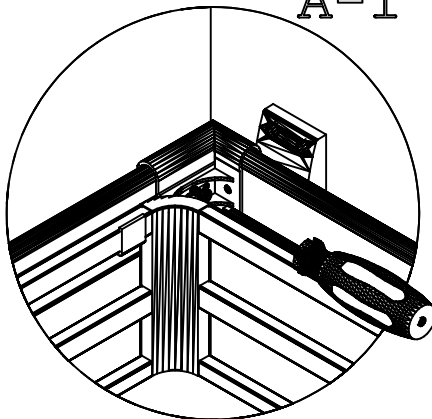


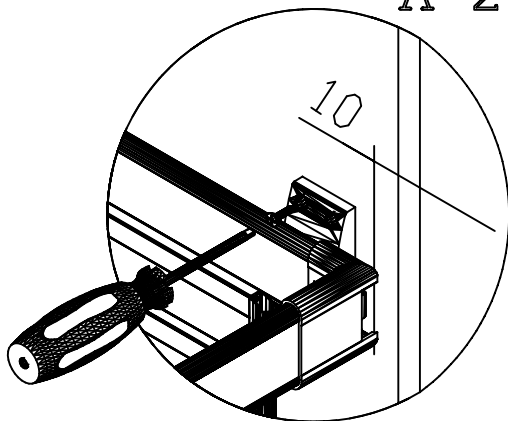
# ALUMINIUM DRAWER WITH SIDE MOUNTED TELESCOPIC RAIL MOUNTING INSTRUCTIONS

A-1



1- Loosen to screws on corner plastic. Adjust according to frame of drawer measurements of the width the module (A-1).

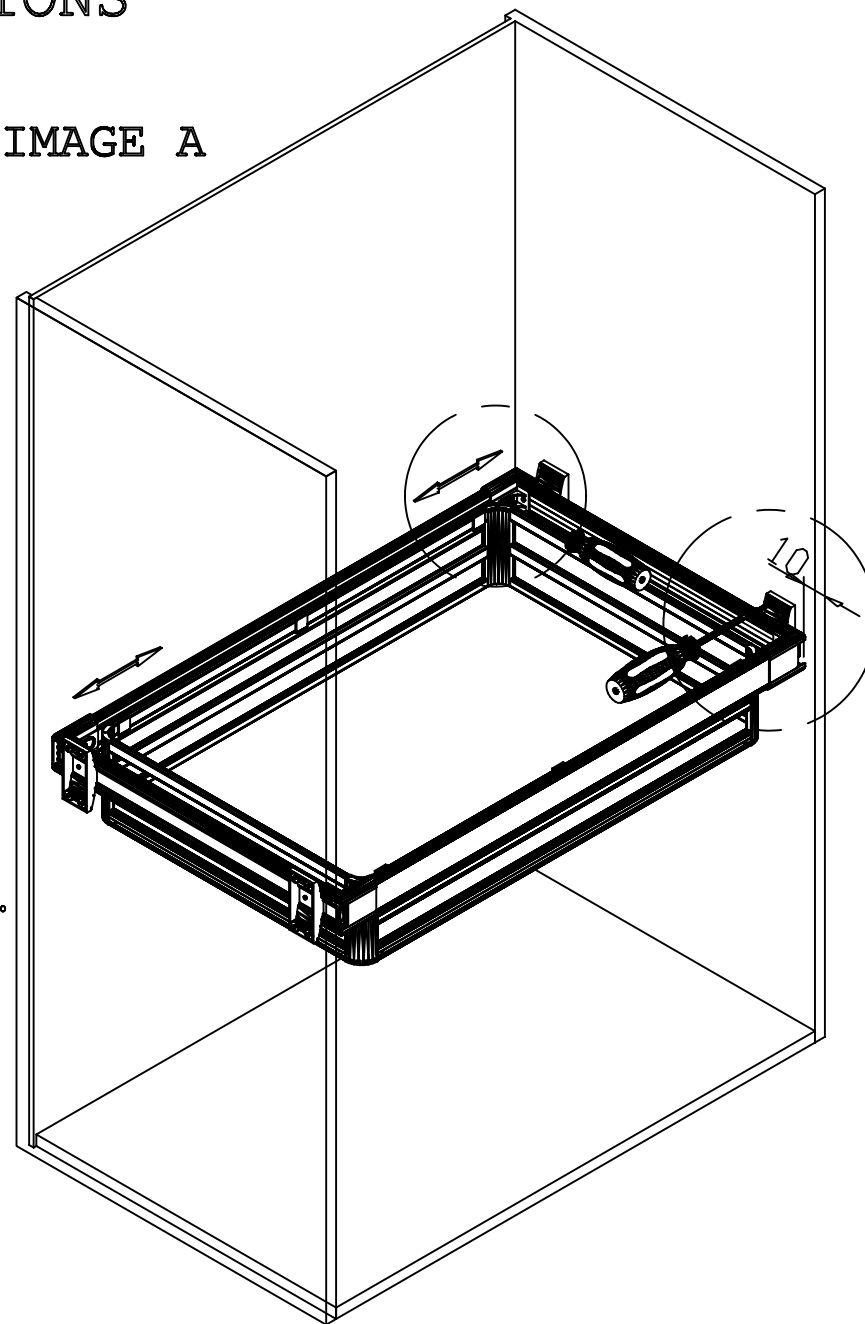
A-2



2- Fix to frame of drawer front 10 mm inside from connection plastics on module (A-2).

3- Fix to screw on corner plastics (A-1). Check to work of mechanism.

IMAGE A



ITEM PARTS

NO	PART NAME	PCS.
1	DRAWER	1 Pcs.
2	RAIL	1 Set.
3	CHIP BOARD SCREWS 3,5x16	8 Pcs.